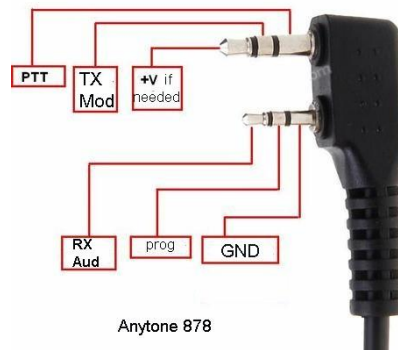
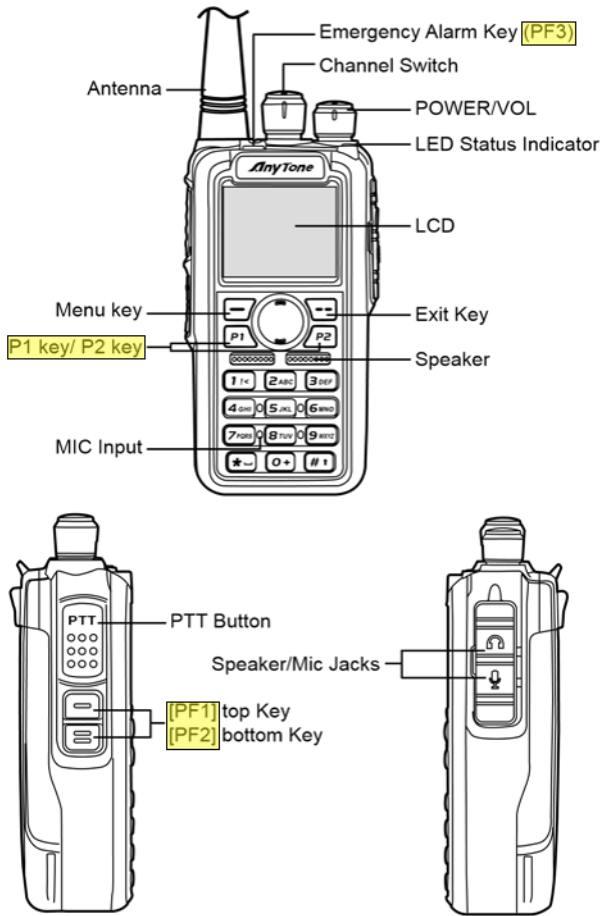


Radio buttons are programmed as follows:



P1/P2 Front of Radio

P1 Short	Ranging
P1 Long	Time slot switch 1 or 2 great for duplex hot spot
P2 Short	Main channel swap top/bottom
P2 Long	Drop noisy channel from a scan. Power off/on to clear.
PF1 Short	Name/frequency swap (best on name)
PF1 Long	Call history (previous DMR contacts)
PF2 Short	Change power setting (toggle)
PF2 Long	Sub Channel On/Off
PF3 Short	Digital monitor promiscuous mode (monitor everything on other/both time slots on a repeater)
PF3 Long	Changes current talk group to 4000. Hit transmit for disconnect of dynamic talk group
Up/Down Long	Scan Zone UP/Scan Zone Down. P2 to stop scan